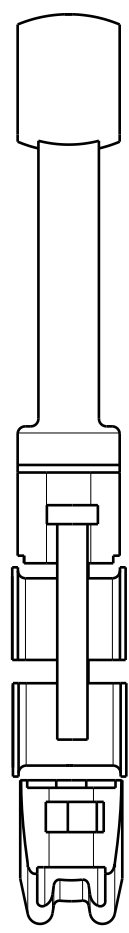
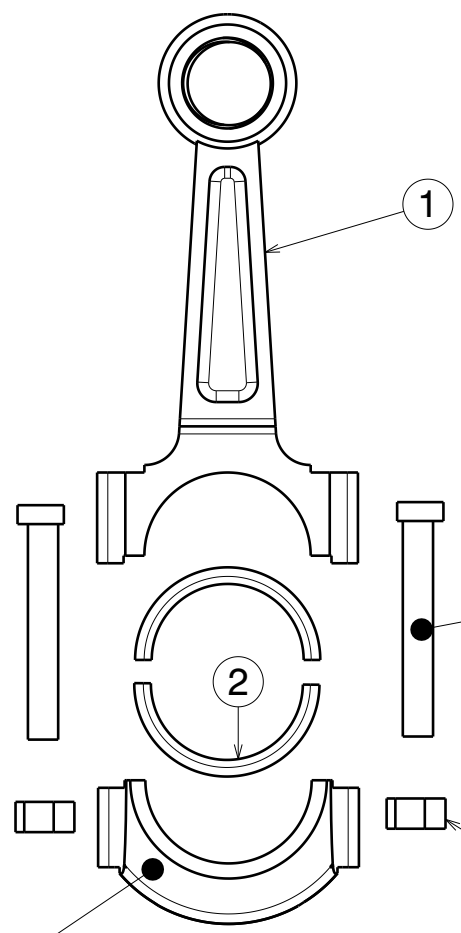
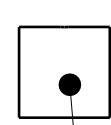
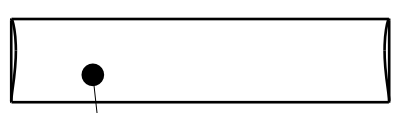
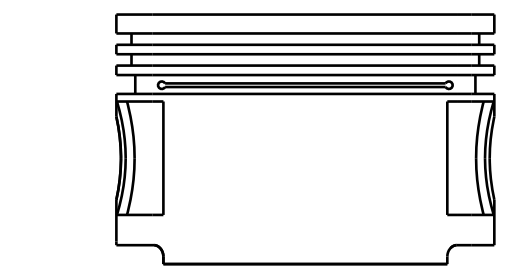
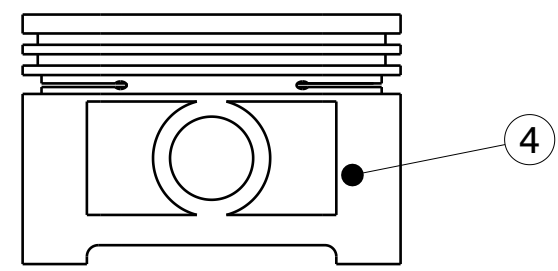


Vista Isometrica

Bill of Material: Product2

Number	Quantity	Nomenclature
1	1	Biela
2	2	Bronzina
3	1	Bronzina
4	1	Cabeçote
5	2	Parafuso
6	1	Pino
7	2	Porca
8	1	Sapata



Vista Frontal

Vista Lateral

This drawing is our property. It can't be reproduced or communicated without our written agreement.

UNIVERSIDADE FEDERAL DO PARANÁ

DRAWN BY  
**Eduardo**  
DATE  
14/12/2011  
CHECKED BY  
**XXX**  
DATE  
xxx  
DESIGNED BY  
**XXX**  
DATE  
xxx

DRAWING TITLE  
**PISTÃO**  
SIZE  
**A3**  
DRAWING NUMBER  
**Produto 1**  
REV  
**X**  
SCALE  
**1:1**  
WEIGHT(kg)  
**0,33**  
SHEET  
**1/5**